



3M™ Versaflo™ V-500 Regulator

Care and Maintenance



To maintain protection levels, optimise the effective lifetime of the system and avoid the additional cost of replacement, it is extremely important to carry out regular checks and maintenance on Powered and Supplied Air Respirators.

Before Use

- Ensure Couplings are securely fitted
- Inspect Breathing Tube – ensure it is free from splits or holes. Replace if necessary
- Inspect Belt – ensure it is free from splits or tears and the buckle is undamaged
- Replace Filter if odour is detected during use

Monthly

- Carry out all the 'Before Use' inspections and create record of this monthly check for the regulator

Six Monthly

- Change Filter

After Use

- Clean casing with cloth dampened with a mild solution of water and liquid household soap
- Disinfect with 3M™ 105 Wipes
- Store in a dry, clean area / locker away from direct sunlight, high temperatures and solvents

Ordering Consumables, Repair Parts and Accessories

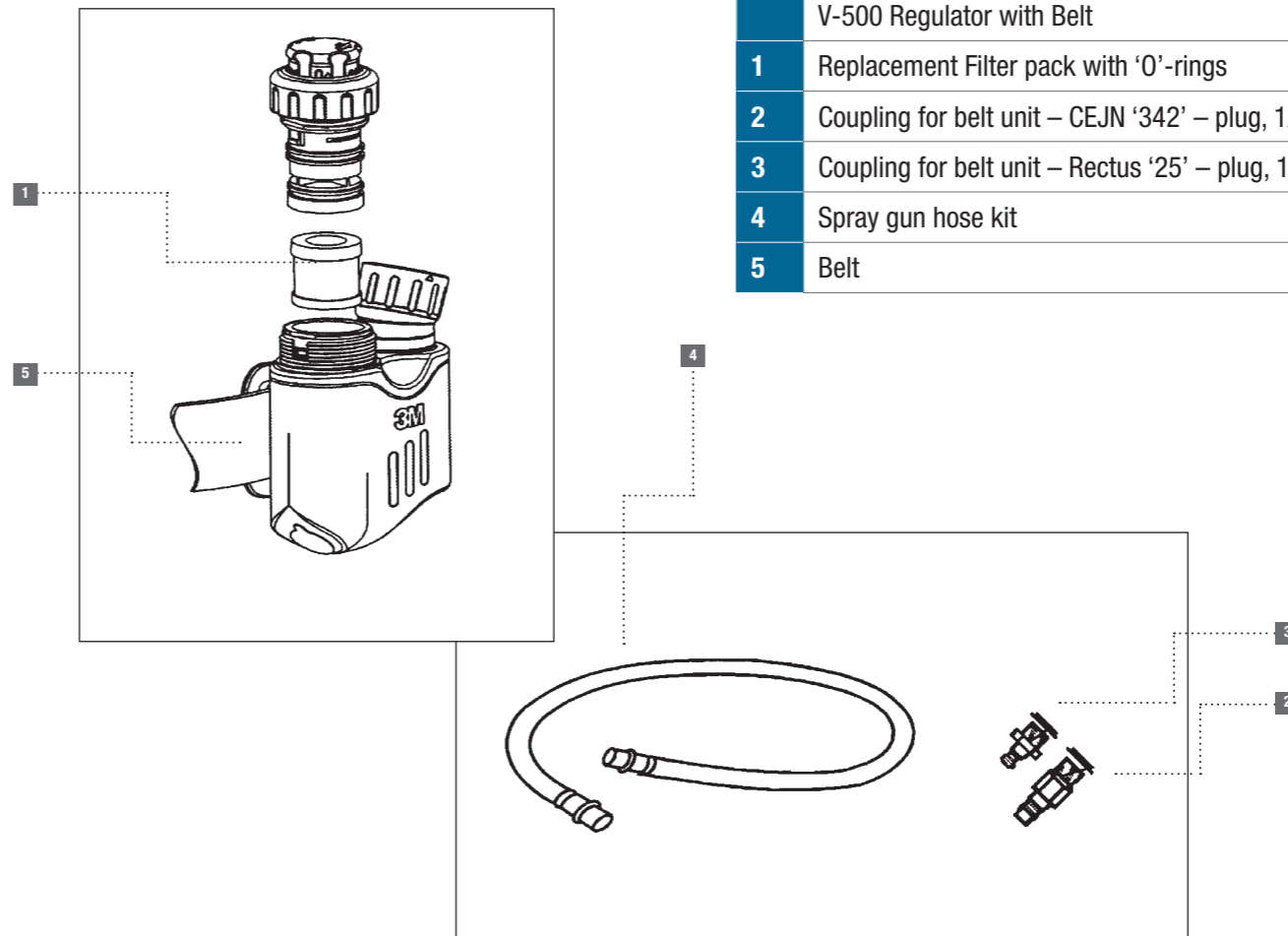
To request a quote or place an order for these items, please contact your 3M Approved Distributor.

Further Information and Advice

If you require additional guidance on the Care and Maintenance of your 3M Powered and Supplied Air Equipment, please contact the Helpline or your local 3M representative.

3M Health & Safety Helpline
Monday - Friday 9 to 5
0870 60 800 60 UK
1 800 320 500 IRELAND

EAR PELTOR



		3M Part No
	V-500 Regulator with Belt	V-500
1	Replacement Filter pack with 'O'-rings	023-05-51P5
2	Coupling for belt unit – CEJN '342' – plug, 1/4" BSP male	530-12-53P3
3	Coupling for belt unit – Rectus '25' – plug, 1/4" BSP male	530-12-52P3
4	Spray gun hose kit	C-231
5	Belt	301-00-62P5

@3M_UK_Safety

3M Personal Safety Division
3M United Kingdom plc
3M Centre
Cain Road, Bracknell
Berkshire RG12 8HT
Tel: 0870 60 800 60
www.3M.co.uk/Safety

3M Ireland Limited
The Iveagh Building
The Park
Carrickmines
Dublin 18
Tel: 1 800 320 500

17808
3M and Versaflo are trademarks of 3M Company
Please recycle. Printed in UK.
© 3M 2014. All rights reserved.

**REPLACE ALL DAMAGED PARTS IMMEDIATELY TO ENSURE
CORRECT LEVELS OF PROTECTION**

For more information on all our products, call 3M Personal Safety Division on 0870 60 800 60 (UK) and 1800 320 500 (Ireland) or visit www.3M.co.uk/safety



Distributed by Industrial Scientific Supplies, a division of Camlab Ltd

Camlab Ltd, Norman Way Industrial Estate, Over, Cambridge, CB24 5WE
Telephone: +44 (0)1954 233145
Email: sales@camlab.co.uk
www.industrialscientific.co.uk

