



# 3M™ Versaflo™ V-100 Cooler & 3M™ Versaflo™ V-200 Heater Units Care and Maintenance



The 3M V-100 Cooling and 3M V-200 Heating Units for protection against particulates, gases and vapours

To maintain protection levels, optimise the effective lifetime of the system and avoid the additional cost of replacement, it is extremely important to carry out regular checks and maintenance on Powered and Supplied Air Respirators.

**Before Use**

- Ensure couplings are securely fitted
- Inspect Breathing Tube – ensure it is free from splits or holes – Replace if necessary
- Inspect Belt – ensure it is free from splits or tears and buckle is undamaged

**Monthly**

- Carry out all 'Before Use' inspections and create record of this monthly check for the unit

**After Use**

- Clean casing with a mild solution of water and liquid household soap
- Disinfect with 3M™ 105 Wipes
- Store in a dry, clean area / locker away from direct sunlight, high temperatures and solvents

**Ordering Consumables, Repair Parts and Accessories**

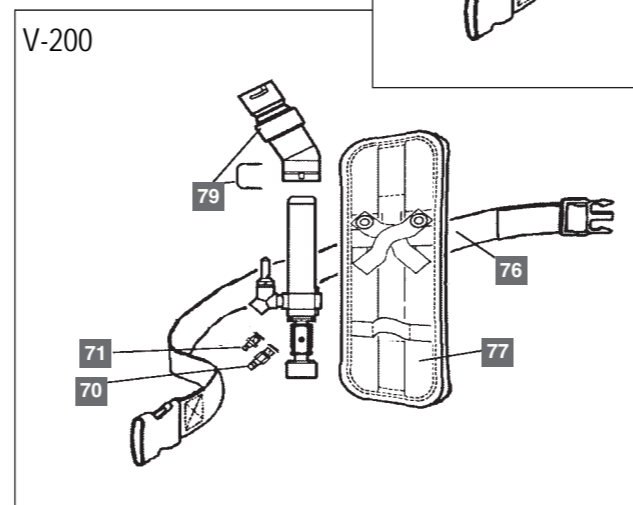
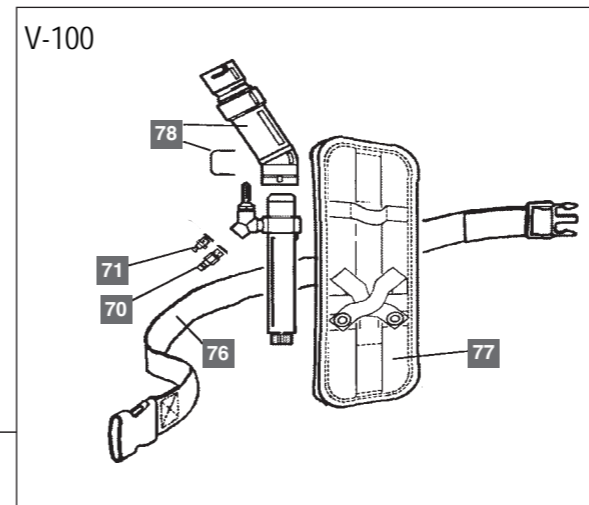
To request a quote or place an order for these items, please contact your 3M Approved Distributor.

**Further Information and Advice**

If you require additional guidance on the Care and Maintenance of your 3M Powered and Supplied Air Equipment, please contact the Helpline or your local 3M representative.

**3M Health and Safety Helpline**

0870 60 800 60 (UK)  
1 800 320 500 (Ireland)



	3M Part Number
V-100E Air Cooler with belt and pad	V-100E
V-200E Air Heater with belt and pad	V-200E
70 Coupling for belt unit – CEJN '342' – plug, 1/4" BSP male	530-12-53P3
71 Coupling for belt unit – Rectus '25' – plug, 1/4" BSP male	530-12-52P3
77 Comfort Pad for V-100 / V-200 Belt Units	023-06-50P5
78 Muffler Kit for V-100 Belt Unit	023-06-30P
79 Muffler Kit for V-200 Belt Unit	023-06-35P
76 Belt	301-00-62P5

**REPLACE ALL DAMAGED PARTS IMMEDIATELY TO ENSURE CORRECT LEVELS OF PROTECTION**



Distributed by Industrial Scientific Supplies, a division of Camlab Ltd

Camlab Ltd, Norman Way Industrial Estate, Over, Cambridge, CB24 5WE  
Telephone: +44 (0)1954 233145  
Email: sales@camlab.co.uk  
www.industrialscientific.co.uk

