

3M™ Versaflo™ TR-300+ Powered Air Respirator

To maintain protection levels, optimize the effective lifetime of the system and avoid the additional cost of replacement, it is extremely important to carry out regular checks and maintenance on Powered and Supplied Air Respirators.

► Before Use

- Use indicator button to confirm battery charge
- Ensure Filter is correctly fitted
- If spark arrestor and / or pre-filter are used, ensure they are clean
- Perform airflow check - insert Airflow Indicator Tube. Refer to Turbo user instructions for information
- Perform alarm check. Refer to Turbo user instructions for information
- Visually inspect for damage

► Monthly

- Carry out all the 'Before Use' inspections and create a record of this monthly check for the turbo

► After Use

- Clean with cloth dampened with a mild solution of water and liquid household soap
- Disinfect surfaces with 3M™ Wipes
- Store in a dry, clean area / locker away from direct sunlight, high temperatures and solvents

► Every Filter Change

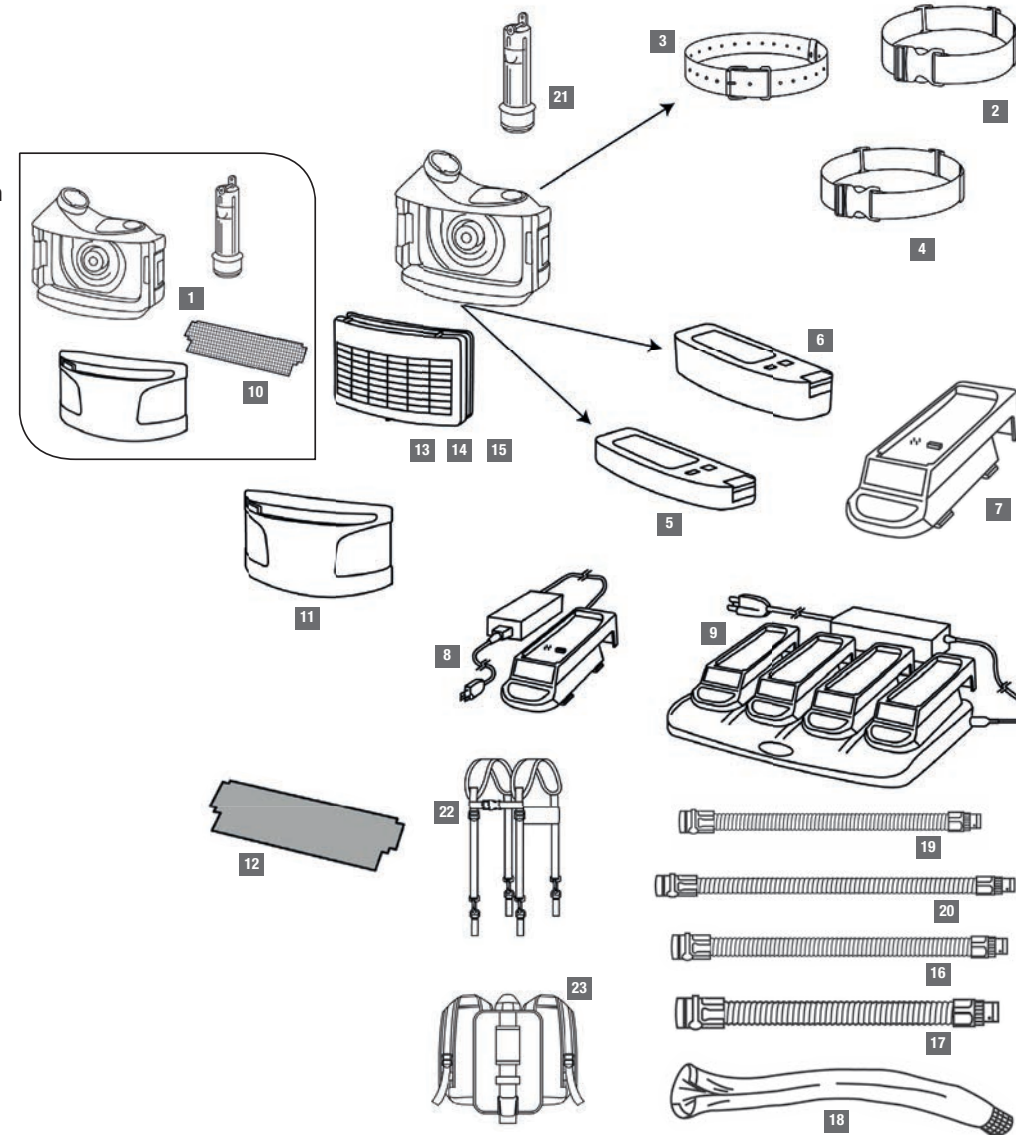
- Inspect Filter and inner seal and replace if damaged
- Always properly install the Filter into the Turbo

► Ordering Consumables, Repair Parts and Accessories

To request a quote or place an order for these items, please contact your 3M Approved Distributor.

► Further Information and Advice

If you require additional guidance on the Care and Maintenance of your 3M Powered and Supplied Air Equipment, please contact the Helpline or your local 3M representative.



Description		Part No.
1	3M™ Versaflo™ TR-302E+ Powered Air Turbo Unit (complete with Filter Cover, Spark Arrestors (x2) and Air Flow Indicator)	TR-302E+
2	Standard Belt	TR-325
3	Leather Belt	TR-326
4	Easy-Clean Belt	TR-327
5	Standard Battery Pack	TR-330
6	High Capacity Battery Pack	TR-332
7	Battery Charging Cradle	TR-340
8	Single Station Charger Kit	TR-341E
9	4 Station Battery Charging Kit	TR-344E
10	Spark Arrestor	TR-362
11	Replacement Filter Cover	TR-371+
12	Pre-Filter	TR-3600
13	Particulate Filter	TR-3712E
14	P/Nuisance Level Organic Vapour Filter	TR-3802E
15	P/HF/Nuisance Level Acid Gas Filter	TR-3822E
16	Length Adjusting Breathing Tube	BT-30
17	Heavy Duty Rubber Breathing Tube	BT-40
18	Breathing tube cover – Flame and Heat Resistant, High Durability	BT-926
19	Short Lightweight Breathing Tube	BT-20S
20	Long lightweight Breathing Tube	BT-20L
21	Airflow Indicator	TR-971
22	Braces	TR-329
23	Backpack	BPK-01
	Filter Surround Gasket	TR-380

Replace all damaged parts immediately to ensure correct levels of protection.



Distributed by Industrial Scientific Supplies, a division of Camlab Ltd

Camlab Ltd, Norman Way Industrial Estate, Over, Cambridge, CB24 5WE
Telephone: +44 (0)1954 233145
Email: sales@camlab.co.uk
www.industrialscientific.co.uk

Note

3M does not accept responsibility or liability, direct or consequential, arising from reliance upon any information provided and the user should determine the suitability of the products for their intended use. Nothing in this statement will be deemed to exclude or restrict 3M's liability for death or personal injury arising from its negligence or fraudulent misrepresentation.