

POWER REQUIREMENTS:  
PROVIDED BY THE CONTROLLER

TEMPERATURE:  
GENERAL USE: 5 TO 40°C (41 TO 104 °F)  
STORAGE: -40 TO 60°C (-40 TO 140 °F)

ENVIRONMENTAL RATING:  

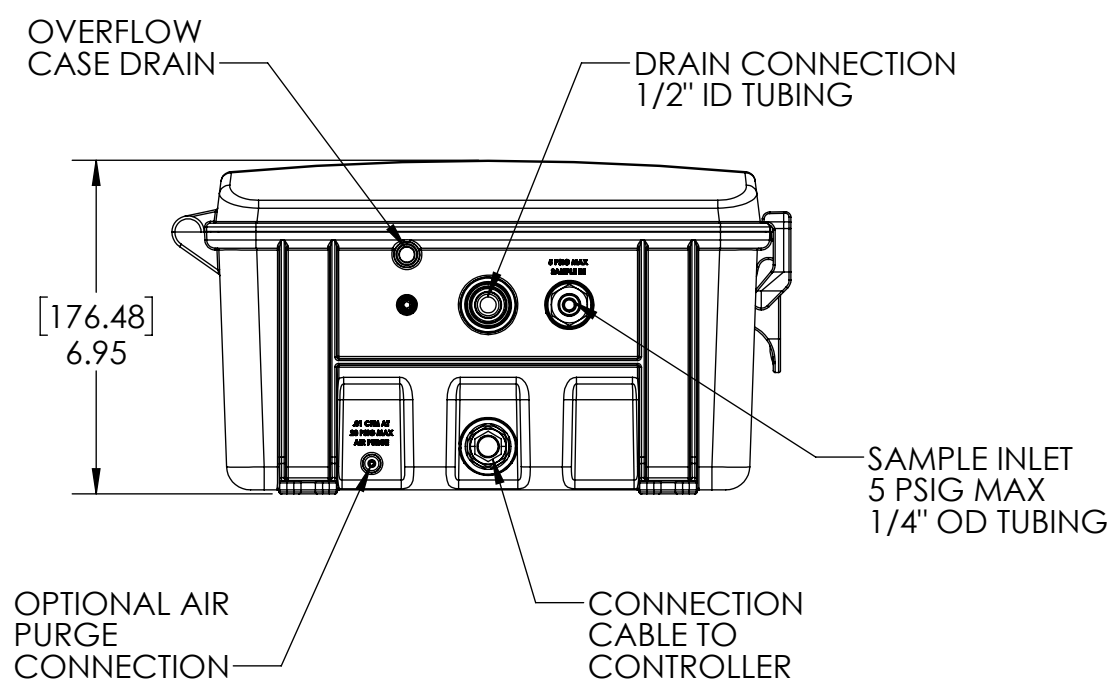
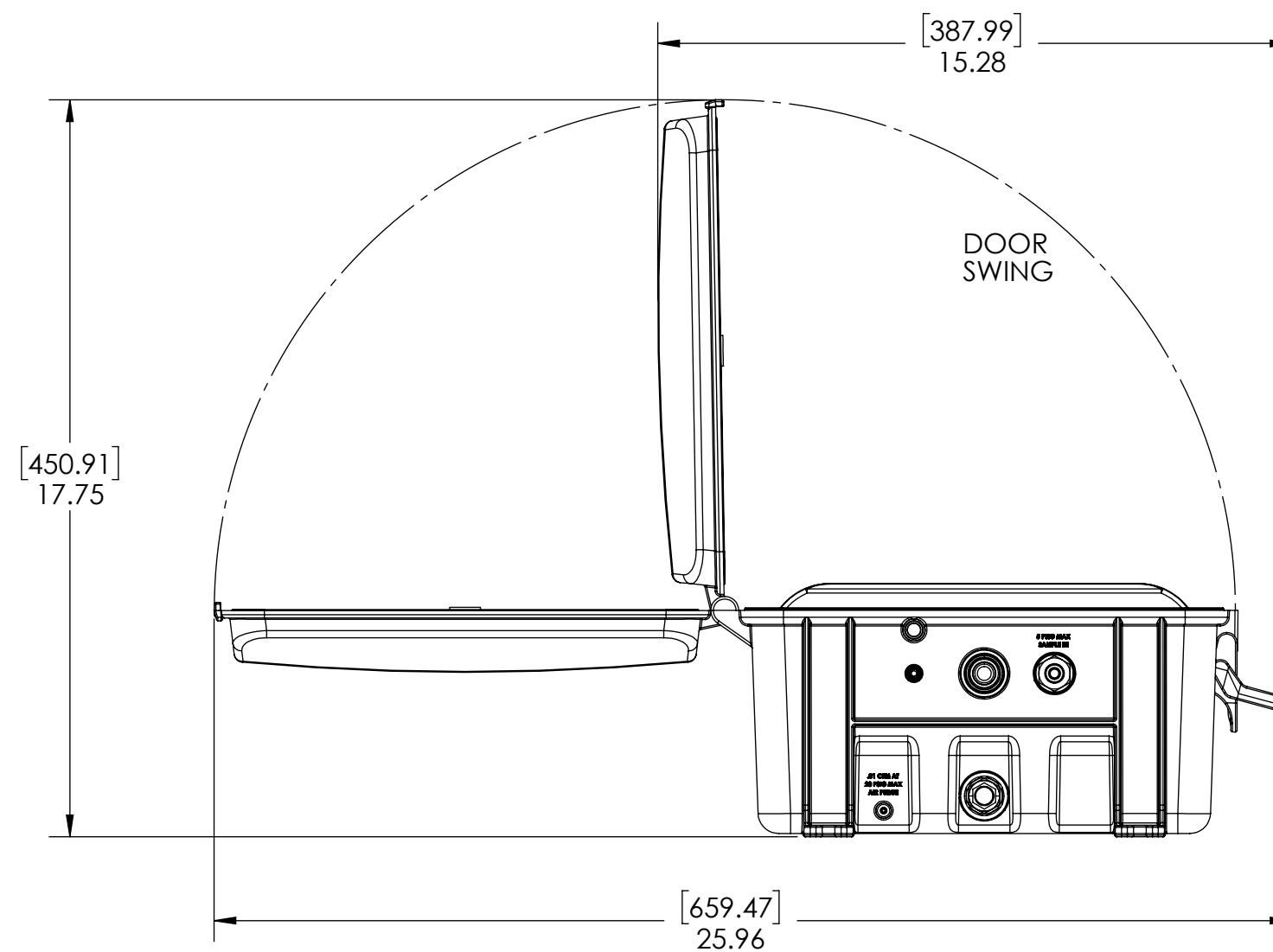
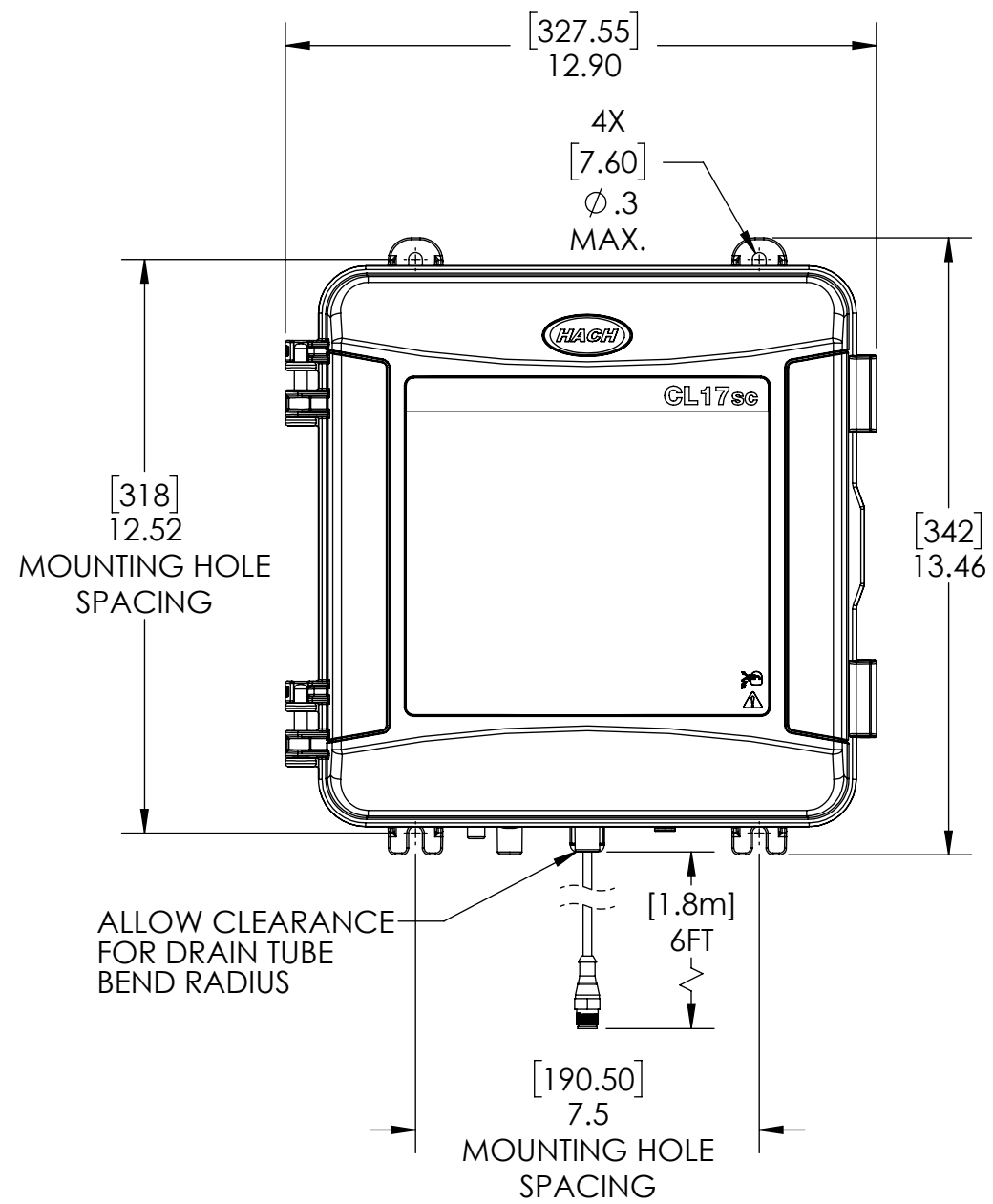
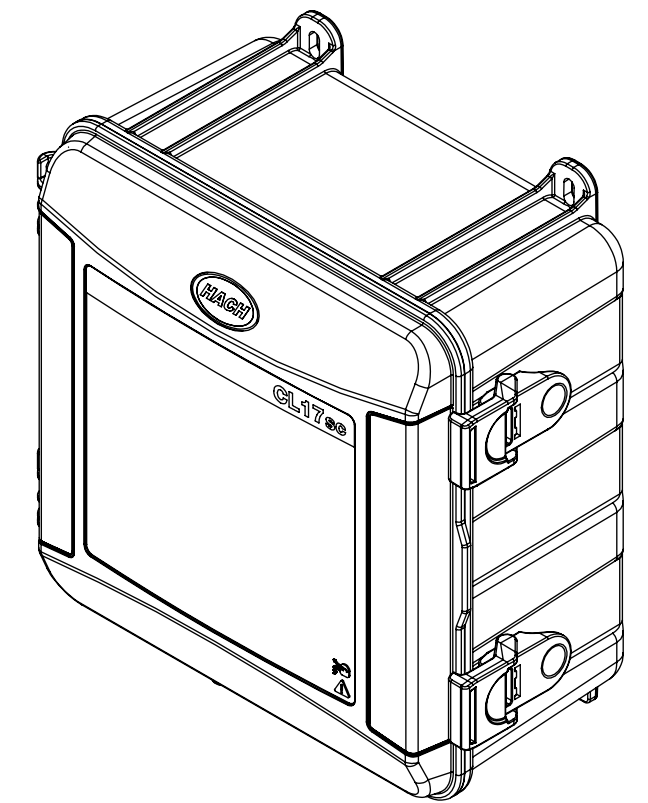
- PROTECT FROM DIRECT SUNLIGHT TO PREVENT UV AND THERMAL EXPOSURE.
- IP66, WITH THE DOOR CLOSED AND LATCHED.
- POLLUTION DEGREE: 3
- INSTALLATION CATEGORY: I (INDOOR INSTALLATION)

WEIGHT:  
4.1 kg (9 lbs) WITHOUT BOTTLES.

Distributed By: Camlab Ltd  
Unit 24, Norman Way Industrial Estate  
Over, Cambridge, CB24 5WE, United Kingdom  
T: +44 (0) 1954 233 110 E: sales@camlab.co.uk



REVISION			
REV	DESCRIPTION	ECO #	DATE
A	PRODUCTION RELEASE		08/26/2019



PART CLASSIFICATION <b>MINOR B</b>	THE SOLID CAD FILE IS THE CONTROLLING AUTHORITY FOR PART GEOMETRY	NAME	DATE	<b>HACH COMPANY</b> 5600 LINDBERGH DR. LOVELAND, CO. 80538
	MATERIAL	ENGINEER	R. LUTHER	
HACH MATERIAL PART NUMBER	UNLESS OTHERWISE SPECIFIED: DIMENSIONS ARE IN INCHES [MM]	DRAWN	R. LUTHER	7/17/2019
	TOLERANCES: .X = ±.03 .XX = ±.01 .XXX = ±.005 ANGLES = ±.5°	CHECKED	G. RONKAINEN	8/13/2019
NOTICE: HACH COMPANY CLAIMS PROPRIETARY RIGHTS IN THE INFORMATION DISCLOSED ON THIS DRAWING. IT IS ISSUED IN CONFIDENCE FOR ENGINEERING INFORMATION ONLY AND MAY NOT, IN WHOLE OR IN PART, BE USED TO MANUFACTURE ANYTHING, WHETHER OR NOT SHOWN HEREON, REPRODUCED OR DISCLOSED TO ANYONE WITHOUT DIRECT PERMISSION FROM HACH COMPANY.	ALL MOLDED PART FEATURES SHALL BE HELD TO SURFACE PROFILES AS FOLLOWS: .010 FOR FEATURES < 4.0" .020 FOR FEATURES > 4.0" -10.0" .040 FOR FEATURES > 10.0"	PRODUCTION	URRUTIA, EDWARD	8/26/2019
		INTERPRET GEOMETRIC TOLERANCING PER: ANSI Y14.5M 1994		TITLE: SUBMITTAL DRAWING, CL17sc CHLORINE ANALYZER
		THIRD ANGLE PROJECTION		SIZE DWG. NO. REV <b>C</b> 856000087 <b>A</b>
		DO NOT SCALE DRAWING		SCALE: 1:4 SHEET 1 OF 1